

The robust lock you have come to trust.

The VingCard Classic lock is designed and built specifically for the hotel industry use. It is completely independent and stand-alone, as well as it can be operated by keycards issued to both staff and guests.

Classic by VingCard is controlled by software resident in the locks, activated by cards coded in the issuing computer.

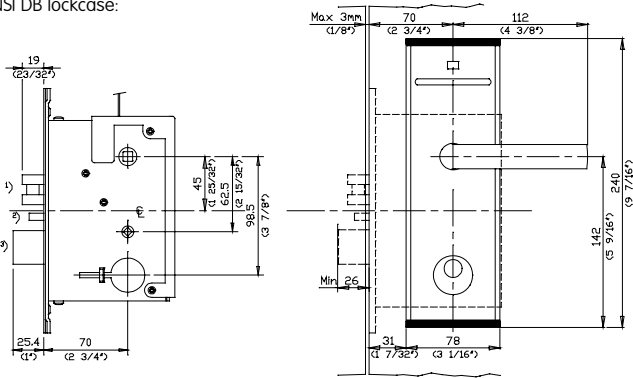


Features:

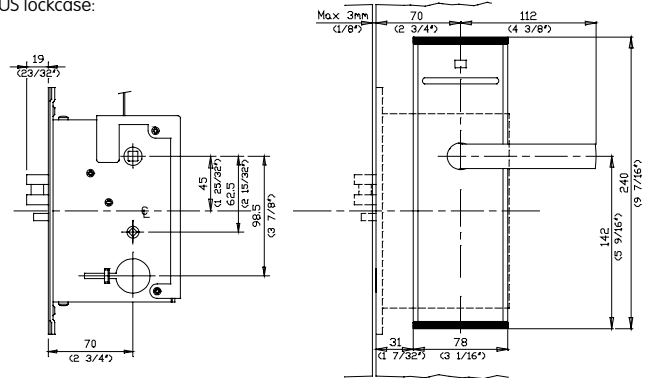
- High quality brass escutcheon reinforced by a steel plate for added security.
- Solid brass handles.
- Self-lubricating, long life bearings.
- Tested to over 1,2 million openings without visible signs of wear. The handle feels smooth and reliable, and will always return firmly to the horizontal position.
- Easy to use.
- Conforming to the requirements of the Americans with Disabilities Act (ADA).
- Unique life safety cylinder, a recodable emergency only override.
- Recoding. The cylinder is recoded from the outside of the lock, without disturbing the guest.
- Full mortise ANSI or EURO lock case, with a security latch and a strong dead bolt.
- Case hardened steel deadbolt with a full 1-inch throw (ANSI) operated by a thumb turn on inner side.
- 3-hour UL fire rating for maximum guest safety.
- "Panic release" deadbolt and latch are retracted automatically by a single action of the inner handle.
- Can also be delivered with an optional Auto Deadbolt lockcase.

SPECIFICATIONS

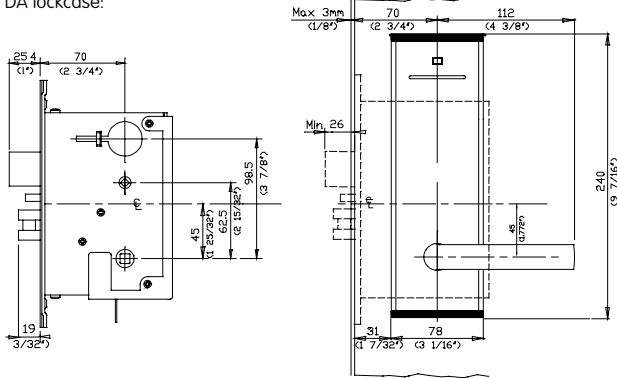
ANSI DB lockcase:



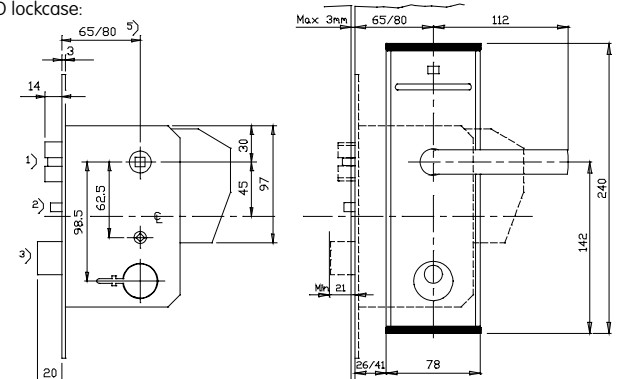
AUS lockcase:



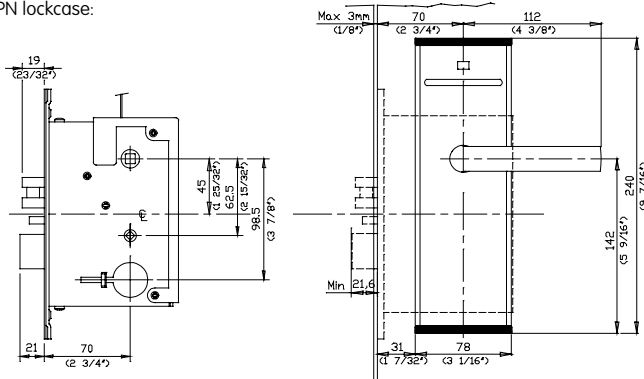
ANSI DA lockcase:



EURO lockcase:



JPN lockcase:



Suitable for the American, Japanese and Pacific Ocean market in three versions (ANSI):

- 25 mm front
- 28 mm front
- 32 mm front

Backset: 70 mm

Suitable for the European market in three versions (EURO):

- 20 mm front
- 22 mm front
- 24 mm front

Backset: 65 mm/80 mm

The lock is operated by handles from both the inside and the outside of the door.

The inside operation retracts both deadbolt and latchbolt for easy egress.

The robust lock you have come to trust

Classic
by VingCard®

Contact us:



ASSA ABLOY

VingCard Elsafe AS

P.O. Box 511 • 1522 Moss • Norway

Tel: +47 69 24 50 00 • Fax: +47 69 24 50 50

E-mail: info@vcegroup.com • www.vcegroup.com